

SiSALATION®



24/7 TEMPERATURE CONTROL

Fire Retardant Aluminium Foil Insulation

This state-of-the-art fire retardant product is ideally suited for insulating, waterproofing and dustproofing of offices, mini factories, clinics and schools.

Sisalion® FR 405 is suitable for use as an under-roof and side cladding insulation membrane, with and without sprinklers in accordance with SANS 10400 Part T. (See Firelab Test Report: FTC 08-039).

Physical properties tested in accordance with SANS 1381-4:1985.

Product Fire Classification

Sisalion® FR405 has been tested according to SANS 10177:
 Part 5 - Non combustibility at 750°C
 Part 9 - Small scale fire properties using the vertical channel test
 Part 10 - Fire propagation properties using 7,4M inverted channel tunnel test
 Part 11 - Fire propagation properties using the large scale application facility (with and without sprinklers) for horizontal and vertical applications.

Classification: Class B/B1/2/H&V



SiSALATION®

Don't Build without it!

barcode

Gross mass: ±9.6kg

SABS Class A

Width 1250m/m Length 40 m

Area 50m²

Handle with care

See reverse for installation instructions



8 Red Street, Isithebe
 PO Box 320, Mandini 4490

0860 527 725

www.nampak.com

Installation Instructions



INDUSTRIAL INSTALLATION

Diagram A

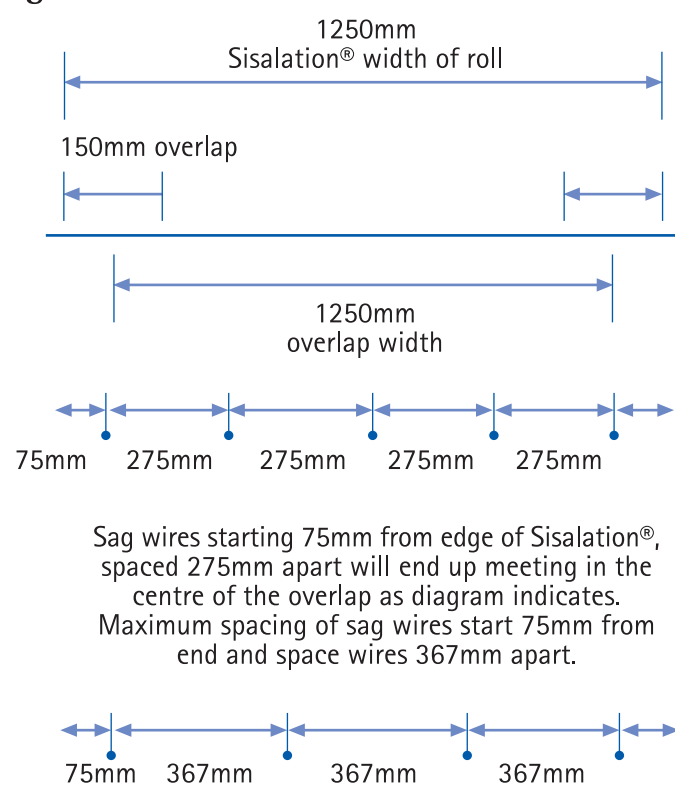
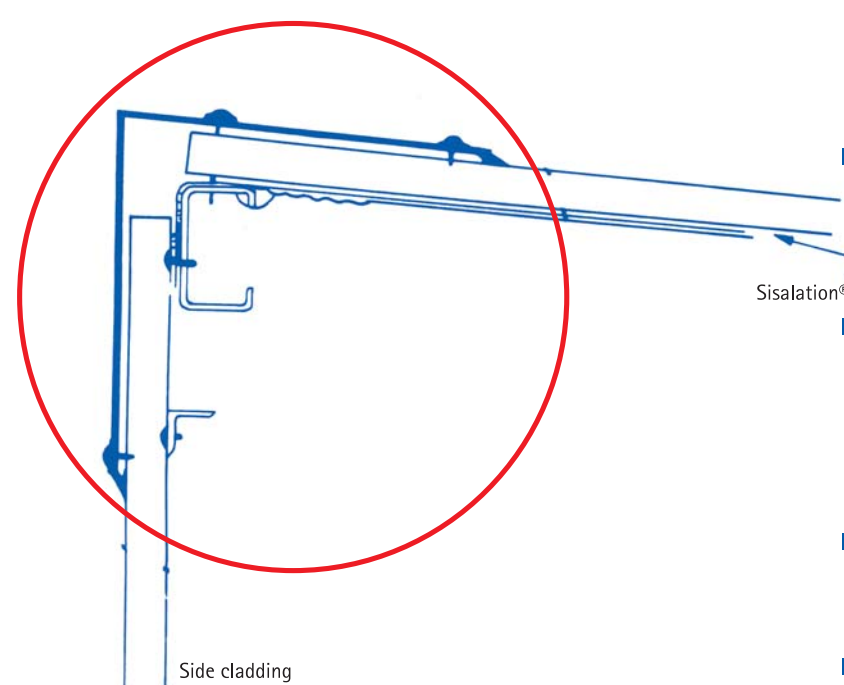


Diagram B
Detail section through apex



- Mark top and bottom purlin with correct wire spacing as per diagram A. First straining wire to be secured 75mm from gable end. Subsequent support wires to be fixed at 275mm centres.
- Fix 1.6mm galvanised strainer support wire or 2.3mm grey plastic coated galvanised wire to the apex purlin, feed over intermediate purlins, evenly tension and secure to eave purlin. All cut ends to face down.
- Sisalation® to be layed over the support wire working from apex to eave. Temporarily secure the Sisalation® to the leg face of the top purlin. Evenly tension the Sisalation® ensuring that it is squared off, and fix to eave [refer diagram D] purlin in a similar manner.
- Sisalation® should be overlapped 150mm at each joint to ensure that the support wire is in the centre of the overlap [refer diagram A].
- Secure the roof cladding as per specification for the structure as soon as possible. Permanently fix the Sisalation® to the leg face of the purlin as per diagrams B & C.

Diagram C

Options for securing Sisalation® to purlins

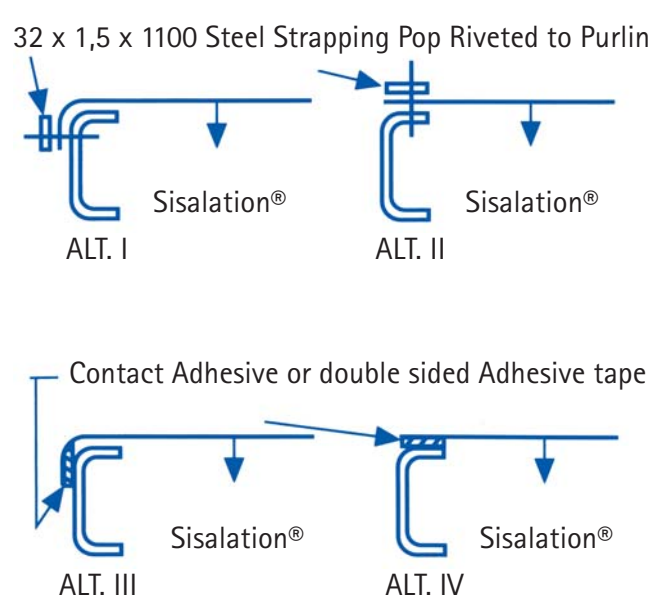
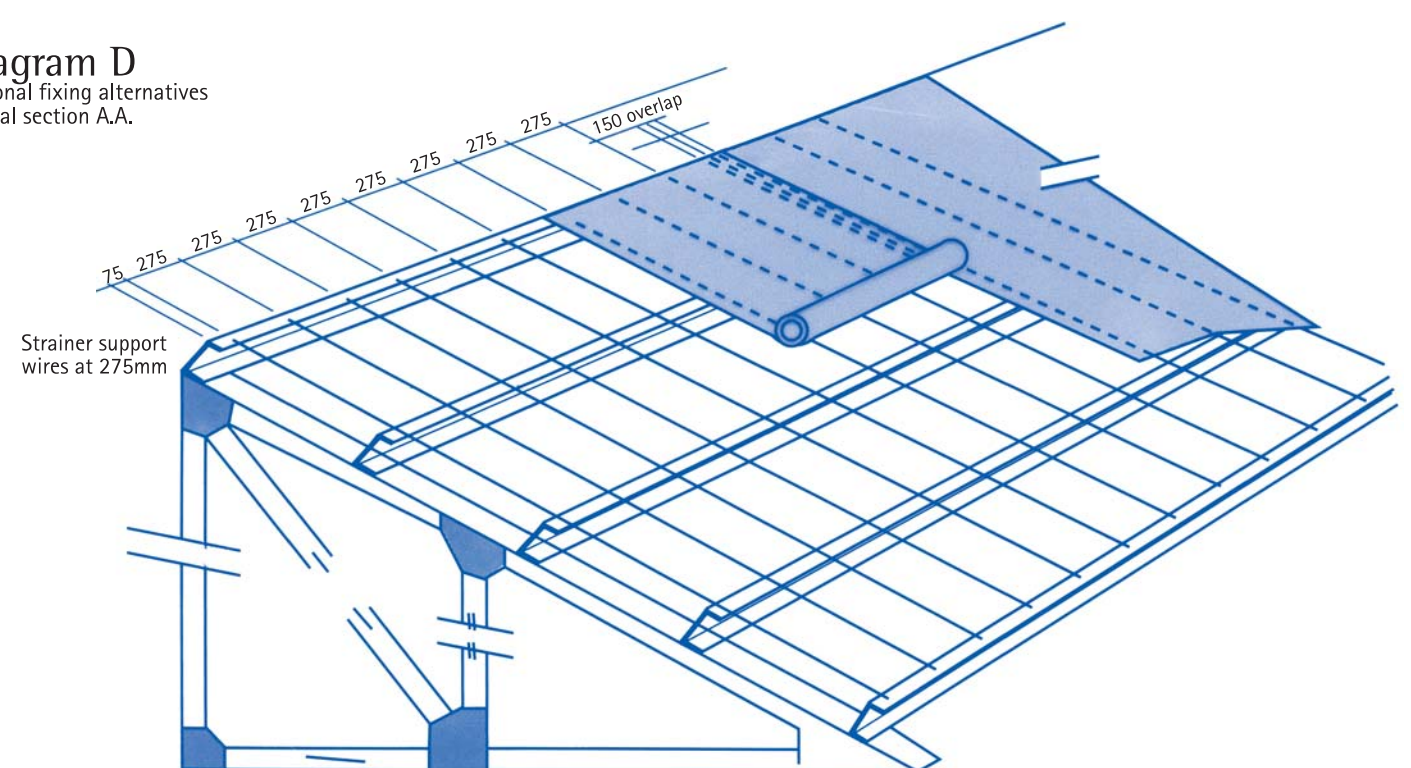


Diagram D

Optional fixing alternatives
Typical section A.A.



Identification, storage and handling

Each Sisalation® roll is supplied with the trade name printed on the roll, together with a 150mm lapped line for ease of installation. Each roll is printed with the manufacturer's name and the SABS mark. All Sisalation® rolls are supplied in a sealed, clear protective sleeve together with a label detailing the product description, storage, handling and installation requirements. All

Sisalation® rolls are to be stored under cover on a raised level surface, free from sharp protrusions. Once outer sleeve has been removed, rolls should not be left exposed to the elements for extended periods. Reasonable precautions must be taken when handling the roll to prevent damage to the product, either during installation or prior to the application of the roof covering.

SISALATION®

*Don't Build
without it!*